



A TOOL FOR EVERY JOB

GENERAL MAINTENANCE PRODUCT



APPENDIX

WD-40® Specialist™ product range are complying with the restricted substances listed in Article 4(1) of the RoHS Directive and NSF Nonfood Compounds Registration.

WHAT IS ROHS



The EU Directive 2002/95/EC Restriction of Hazardous Substances (RoHS) has been in effect since July 1, 2006 and has been revised in 2011. The changes to Directive 2011/65/EU, also known as "RoHS II" will slowly take effect over 6 years. This directive restricts the use of six hazardous materials in EEE products that are "dependent on electric current or electromagnetic fields for at least one intended function". Some product exclusions still apply.

THE "HAZARDOUS" SUBSTANCES

RoHS is often referred to as the lead-free directive, but it restricts the use of six substances, including other heavy metals and 2 flame retardants:

- Lead (Pb)
- Cadmium (Cd)
- Polybrominated biphenyls (PBB)
- Mercury(Hg)
- Hexavalent chromium (Cr6)
- Polybrominated diphenyl ether (PBDE)

NSF Nonfood Compounds Registration

C1 GENERAL (NON PROCESSING AREA PRODUCTS)

This product is acceptable for use in inedible product processing areas, non processing areas, and/or exterior areas of food processing establishment (C1) provided that it is not used to mask odors resulting from unsanitary conditions, and that any characteristic odor or fragrance does not penetrate into an edible product area. When used on equipment that will be returned to a food processing area, the product must be completely washed off and rinsed with potable water before returning to the processing area.

H1 LUBRICANTS - GENERAL INCIDENTAL CONTACT

This product is acceptable as a lubricant with incidental food contact (H1) for use in and around food processing areas. Such compounds may be used on food processing equipment as a protective anti-rust film, as a release agent on gaskets or seals of tank closures, and as a lubricant for machine parts and equipment in location in which there is a potential exposure of the lubricated part to food. The amount used should be the minimum required to accomplish the desired technical effect on the equipment. If used as an anti-rust film, the compound must be removed from the equipment surface by washing or wiping, as required to leave the surface effectively free of any substance which could be transferred to food being processed.

H2 LUBRICANTS - GENERAL NO CONTACT

This product is acceptable as a lubricant where there is no possibility of food contact (H2) in and around food processing areas. Such compounds may be used as lubricants, release agents, or antirust films on equipment and machine parts in locations in which there is no possibility of the lubricant or lubricated part contacting edible products.

K1 SOLVENT CLEANERS - NON PROCESSING AREA PRODUCTS

This product is acceptable for use as a cleaner and degreaser for use in non of food processing area (K1), which are used to remove oil, wax, resinous materials, or other substance not removable by using acidic or alkaline cleaning agents. Their use is limited to non processing areas where there is no possibility of solvent vapors entering a processing area. Food processing equipment or utensils treated with such preparations must be washed with as acceptable detergent solution and thoroughly rinsed with potable water before returning to a processing area.

K2 SOLVENT CLEANERS - ELECTRONIC INSTRUMENT CLEANERS

This product is acceptable for use as a solvent for cleaning electronic instruments and devices (K2), which will not tolerate aqueous cleaning solutions in and around food processing areas, where its use is not intended for direct food contact. Before using this compound, food products and packaging materials must be removed from the area or carefully protected. This compound must be used in a manner so that all odors associated with the compound are dissipated before food products or packaging materials are re-exposed in the area.

K3 SOLVENT CLEANERS - ADHESIVES/GLUE REMOVER

This product is acceptable for use as an adhesive or glue remover (K3), for removing adhesive or glue from food packaging materials in and around food processing areas, where its use is not intended for direct food contact. Before using this compound, food products and packaging materials must be removed from the area or carefully protected. After using these compounds, all surfaces must be thoroughly washed with an acceptable detergent solution, and rinsed with potable water. This compound must be used in a manner so that all odors associated with the compound are dissipated before food products or packaging materials are re-exposed in the area.

P1 - MISCELLANEOUS

This product is acceptable for use as a rust remover soak (P1), in and around food processing areas. The product must only be used in a manner as to ensure it will have neither direct nor indirect contact with food or potable water. Use must also be consistent with the manufacturer's directions and warnings.

For further information please visit NSF official website www.nsf.org



	CONTACT CLEANER	DEGREASER	AIR DUSTER	SILICONE	DRY LUBE	FOOD GRADE SILICONE	WHITE LITHIUM GREASE	SPRAY GREASE	CUTTING OIL	RUST REMOVER SOAK
	CLEANER	LUBRICANT			GREASE		METAL PROCESSING FLUID	RUST		
Stops squeaks				●	●	●	●	●	●	
Dry blast cleaning application			●							
Clean & removes grease & dirt, leaves no residue	●	●								
Fast drying	●			●	●	●				
Non-conductive cleaner	●		●							
Removes tough rust										●
Light Lubrication				●	●	●				
Outdoor, resistant to heat & water							●	●		
Cutting Oil									●	
Long term protection							●	●		

CLEANER



NEW



LUBRICANT



NEW



GREASE



NEW

METAL PROCESSING FLUID



NEW

RUST

NEW



FAST DRYING CONTACT CLEANER

- ✓ Fast acting, non conductive cleaner
- ✓ Penetrates quickly and leaves no residue
- ✓ For use on electrical equipment, contacts and plastic

FAST ACTING DEGREASER

- ✓ Removes grease, oil, fat, dirt, soap scum & grimy residues
- ✓ Power foam works immediately on contact
- ✓ Easy to rinse, leaves no residue

DUST FREE AIR DUSTER

- ✓ Dry powerful blast, removes dust easily
- ✓ Safe on all plastics & delicate precision equipment
- ✓ Non-abrasive, non-corrosive, residue free

HIGH PERFORMANCE SILICONE LUBRICANT

- ✓ Prevents parts from sticking
- ✓ Waterproofs & protects against moisture
- ✓ Lubricate, free seals, restore hardened rubber

HIGH PERFORMANCE DRY LUBE PTFE

- ✓ Enhanced lubrication & protection
- ✓ Dry PTFE film that resists dirt, dust and oil
- ✓ For use on metal, plastic & glass

FOOD GRADE SILICONE

- ✓ NSF® Certified: H1 and H2 Registration
- ✓ Designed for food industry handling application & food processing
- ✓ Colorless, odorless, non-staining film

HIGH PERFORMANCE WHITE LITHIUM GREASE

- ✓ Water and heat resistant lubricant
- ✓ Long lasting protection against rust & corrosion
- ✓ High viscosity grease

HIGH PERFORMANCE SPRAY GREASE

- ✓ Long lasting lubrication and protection
- ✓ Excellent adhesion and sealing properties
- ✓ For use on metal surfaces

MULTI-PURPOSE CUTTING OIL

- ✓ Improves machine finishes and extends tool life
- ✓ Reduces cutting torque and improves cutting efficiency
- ✓ Suitable for use on all metals

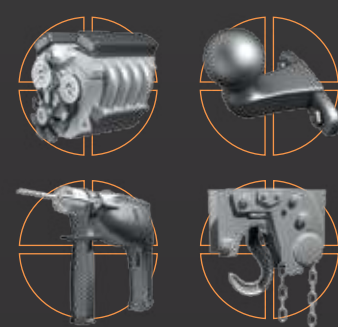
RUST REMOVER SOAK

- ✓ Safely removes tough rust from metal parts & tools
- ✓ Ideal for restoring rusted parts to bare metal
- ✓ Non-toxic, acid free, biodegradable



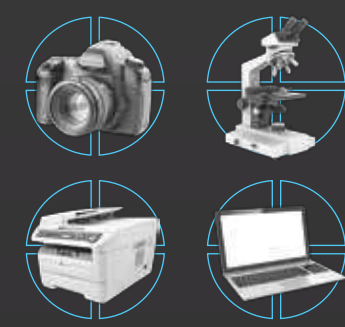
RECOMMENDED USES

- Circuit Boards
- Electrical Assemblies
- Printers
- Controls
- Copiers
- Tape Heads
- Precision Instruments



RECOMMENDED USES

- Engines
- Hand Tools
- Lifts & Hoists
- Industrial Machinery
- Work Surfaces
- Flooring
- Exhaust Hoods



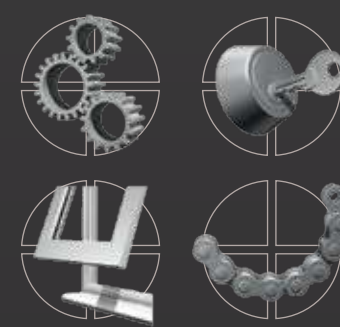
RECOMMENDED USES

- Camera Equipment
- Printers
- Laptop Computers
- Keyboards
- Photo Equipment
- Fax Machines
- Copiers
- Telephones
- Lab Equipment
- Vacuums
- Scanners
- Stereos
- Watches
- Clocks



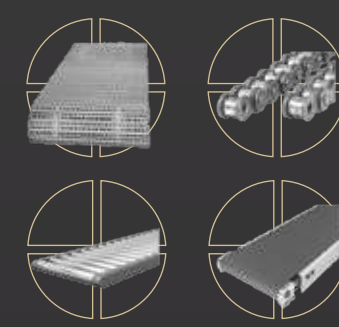
RECOMMENDED USES

- Belt
- Bearing
- Linkages
- Tools
- Pulleys
- Guide Rails
- Locks
- Doors & Hinges
- Valves
- Hoists
- Conveyors
- Compression & Injection Mouldings
- Pipes



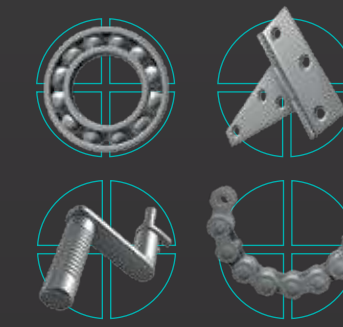
RECOMMENDED USES

- Gears
- Locks
- Tracks
- Chains
- Blades & Drill Bits
- Hinges
- Power Tools & Equipment



RECOMMENDED USES

- Food processing & handling equipment
- Food racks
- Rings
- Pins
- Chutes
- Guides rail
- Conveyor belts
- Bottling machinery
- Slicers
- Castors
- Freezers
- Coin mechanisms
- Linkages
- Locks
- Pulleys
- Timers
- Rubber mountings & seals
- Tools
- Plastic rollers & gears
- Vending machines



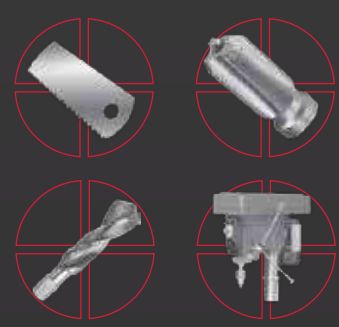
RECOMMENDED USES

- Bearings
- Hinges
- Winches
- Chains
- Motor
- Pivot Points
- Latches
- Pistons
- Conveyors
- Metal Parts
- Catches
- Overhead Door Tracks
- Cables
- Runners
- Water Pumps
- Gear & Brake Mechanisms



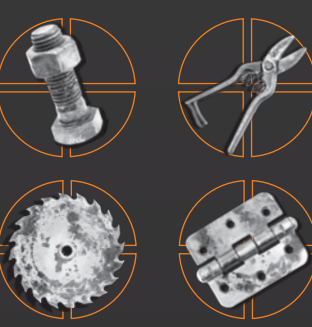
RECOMMENDED USES

- Bearings
- Hinges
- Winches
- Chains
- Motor
- Pivot Points
- Latches
- Pistons
- Conveyors
- Metal Parts
- Catches
- Overhead Door Tracks
- Cables
- Runners
- Water Pumps
- Gear & Brake Mechanisms



RECOMMENDED USES

- Cutting
- Drilling
- Milling
- Tapping
- Threading
- Sawing
- Shearing
- Turning
- Reaming processes



RECOMMENDED USES

- Rusted metal surfaces



ABOUT WD-40 COMPANY

WD-40 Company is the maker of the widely trusted WD-40® Multi-Use Product, an essential in every toolbox and household worldwide. The American brand was created in 1953 as an anti-rust, anti-corrosion protectant for the outer layer of the Atlas Missile and has since transformed into the quick-fix solution to cleans and protects, loosens rusted parts, drives out moisture, frees sticky mechanism and stops squeaks.

Maintenance professionals and DIY amateurs alike find diverse applications for WD-40® in their works with hardware, industrial, automotive, cycling, sporting and mass retail goods. Today, WD-40® is available around the world in a variety of sizes, and it has diversified into a new range of specialised products -WD-40® Specialist™, WD-40® BIKE and WD-40® Specialist™ Automotive.



THE CAN WITH THOUSANDS OF USES

WD-40® Multi-Use Product protects metal from rust and corrosion, penetrates stuck parts, displaces moisture and lubricates almost anything. It even removes grease, grime and more from most surfaces.

LUBRICATES



WD-40®'s ultra-high surface attraction assures the lubricating ingredients in WD-40® will be widely dispersed and tenaciously held to all moving parts. WD-40® contains no silicon or other additives that attract dust and dirt causing a build of gummy, greasy residue.

PENETRATES



WD-40®'s ultra-high surface attraction results in a super penetrating action that loosens rust-to-metal bonds and frees stuck, frozen, or rusted metal parts. The lubricating properties of WD-40® then keep these parts working freely.

CLEANS



WD-40® dissolves most adhesives, allowing for the easy removal of labels and excess bonding materials. Its ultra-high surface attraction enables it to get under dirt, grime, caked grease, and oil to clean the surface, at the same time, it forms a corrosion-resistant barrier.

PROTECTS

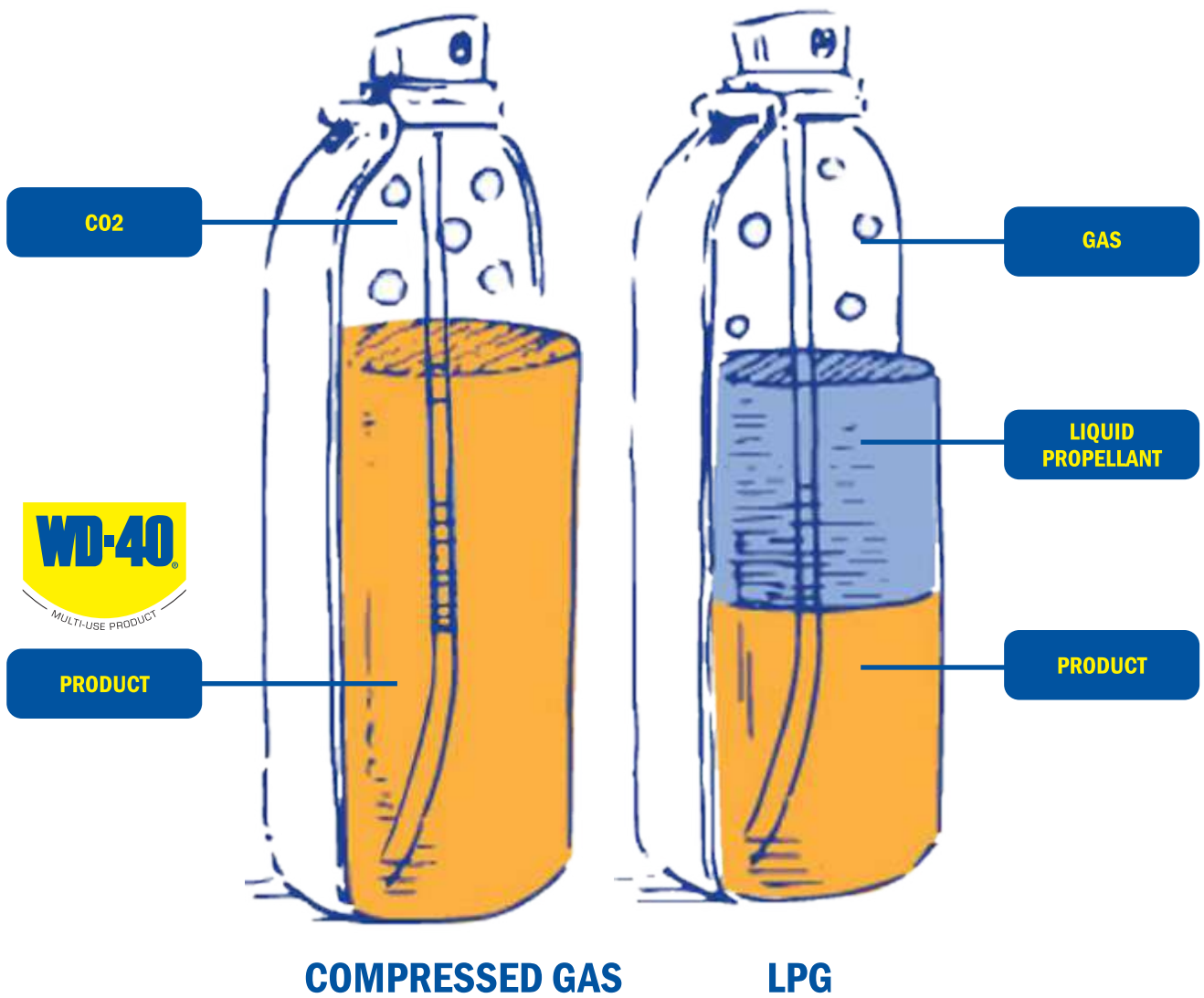


WD-40® protective barrier shields against moisture and other corrosive elements. It deposits corrosion-resistant ingredients over the entire surface area, including microscopic irregularities. This WD-40®'s moisture displacement capability also prevents the possibility of a small moisture pocket which can cause future problems.

DISPLACES MOISTURE



WD-40® is a non-conductor of electricity and quickly eliminates moisture-induced short circuits. WD-40® is formulated for ultra-high surface attraction to metal. It completely covers surfaces, including microscopic irregularities, even in the presence of moisture. In fact, WD-40® goes under surface moisture and establishes a protective barrier between the moisture and parent metal.



VALUE IS WHAT YOU GET

By using CO2 compressed gas:

- You can get more product into the can, as LPG uses additional space
- If it says 400ml of product, that is what you get, as LPG gets included as part of the ml fill
- It is not flammable, compared with LPG

WAYS TO APPLY WD-40® MULTI-USE PRODUCT



SPRAY

Industrial Spray Gun/
Manual Spray Applicator



BRUSH

Hand Brushing



DIP

Dipping inside a small/
massive container

IGNITION TEST



**CO2 PROPELLANT
FILLED CAN**

- CO2 Propellant
- Flammable
- Pressure in can greater than 90 PSI
- 100% useable liquid
- Can sprays upsidedown



COMPETITORS

**HYDROCARBON
FILLED CAN**

- Mostly Hydrocarbon
- Extremely Flammable
- Pressure in can less than 60 PSI
- Less than 60% useable liquid



COMPARISON OF ANTI-RUST PROPERTIES BETWEEN WD-40® AND COMPETITORS

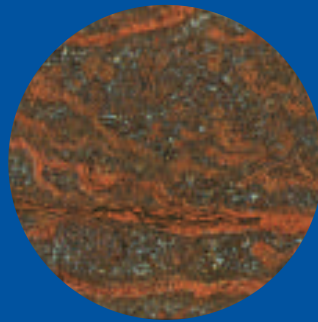
- Test method: Korean Nasional Standard (KSSM 2091) Salt Spray Test
- Test institute: Buhmwoo Institute of Techology

When choosing corrosion inhibition lubricants, always insists on WD-40® to protect your equipments and product from rust.



TIME
36 HOURS

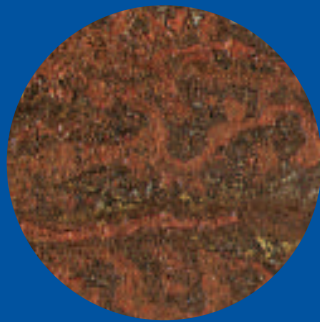
RESULT
NO RUST



COMPETITOR A

TIME
24 HOURS

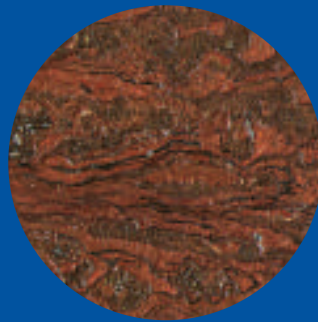
RESULT
50% RUST



COMPETITOR B

TIME
24 HOURS

RESULT
100% RUST



COMPETITOR C

TIME
24 HOURS

RESULT
100% RUST

ENVIRONMENTALLY COMPLIANT



NO BENZENE



Inherently
Biodegradable
OECD Method 301



- ✗ Lead
- ✗ Mercury
- ✗ Cadmium
- ✗ Hexavalent chromium (Chromium VI or Cr⁶⁺)
- ✗ Polybrominated biphenyls (PBB)
- ✗ Polybrominated diphenyl ether (PBDE)
- ✗ Phthalates:
 - Bis(2-ethylhexyl) phthalate (DEHP)
 - Butyl benzyl phthalate (BBP)
 - Dibutyl phthalate (DBP)
 - Diisobutyl phthalate (DIBP)



OZONE FRIENDLY
~~CHLOROFLUOROCARBONS~~
~~CHLORINATED SOLVENTS~~
~~1,1,1-TRICHLOROETHANE~~

CO₂
PROPELLANT

- ✓ Safer
- ✓ More active contents



- ✓ No Silicone
- ✓ Paint Surface Safe



APPLICATION



POWER METALLURGY

Powder metallurgy is a high volume production process that is highly efficient, energy-saving, material-saving, environment-friendly and low-cost. Powder metallurgy products are characterized by high strength, complex shaping, miniaturization and precision.

- i. Various car structural components Engine valve seats, camshaft, pulleys, cams, transmission clutch hoop, piston rings, synchronizer hoop, flange of the exhaust system and transmission bracket, slip, shock absorbers, steering and brake parts.
- ii. Drill bits in cutting tools and wear-resistant tools, lathe tools and cutters are also used in the manufacturing of moulds.
- iii. Electric tools gears, metal parts of pneumatic tools, metal parts of household appliances.

The application of WD-40® Multi-Use Product in the powder metallurgy industry is mainly by soaking, supplemented by wiping or brushing in these areas.

- **Application after sintering of powder metallurgy parts**

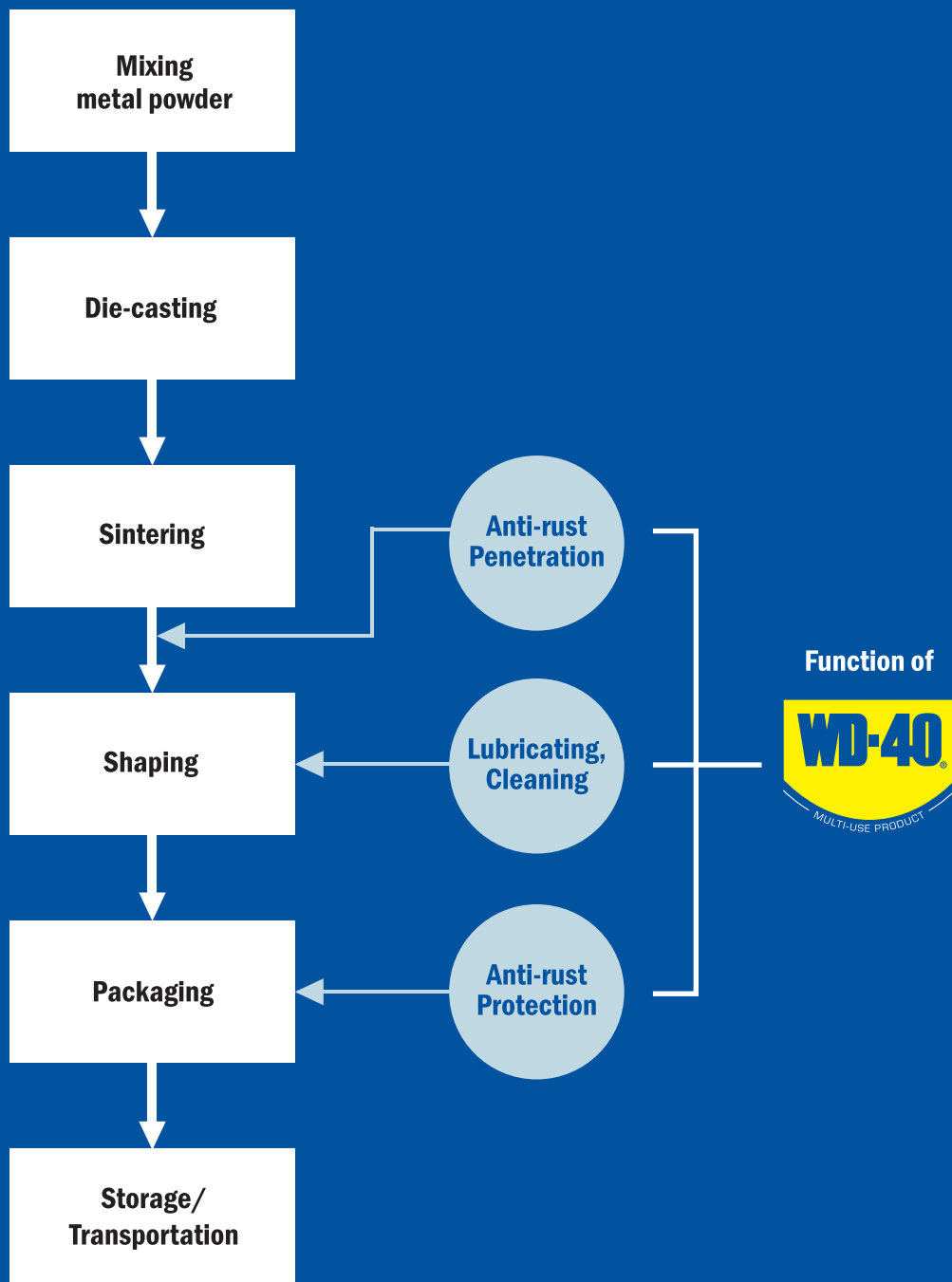
In order to achieve an anti-corrosive effect from the inside out, the parts need to be immersed in a WD-40® Multi-Use Product solution pool, so that they are completely soaked in.

- **Application in the shaping of powder metallurgy parts**

During the shaping of powder metallurgy parts, the surface of the parts can be wiped or brushed with WD-40® Multi-Use Product. Its lubricating, non-dust adherence and powerful cleaning effect will make the surface of the parts bright as new.

- **Application in packaging of powder metallurgy parts**

At the end of production, the powder metallurgy parts have to be packaged to facilitate long-term storage and transport. The surface of the parts can be wiped or brushed with WD-40® Multi-Use Product, in order to achieve better and long-lasting anti-corrosive effects.





WIND POWER INDUSTRY

WD-40® Multi-Use Product application in the wind power industry can be divided into three parts:

1. Wind power component production and assembly
2. Installation of wind power equipment in the wind farms
3. Routine maintenance of wind power equipment.
 - Cleaning, Lubricating and Rust-Proofing of metal parts such as bolt, screw, spindle, high speed brakes, yaw gear and yaw bearings, brackets, rotor wall surface of the stator and electric, pneumatic and hand tools
 - Extending equipment life, reduced failure rate and maintenance cost
 - Cleaning procedures reduced, product quality improves



SHIPBUILDING INDUSTRY

WD-40® Multi-Use Product is used by many shipyards for its excellent multi-purpose performance and provides antirust for marine metal parts. In the shipping industry, WD-40® Multi-Use Product has been listed by many ship owners or shipping companies as the one essential maintenance agent to protect the ship's metal and electrical components, making it smooth sailing all round.

- Provides high-efficiency maintenance to the ship's metal and electrical components in humid environment
- Protects all kinds of gears, engine parts from rusting
- Protects battery terminal, marine control and measuring equipment
- Removes rust on the surface of large parts
- Loosens tightly fastened screws and nuts
- Lubricates locks, hinges, helm and dashboard, mast
- Cleans and protects ship's machinery, tools, radar device, pulley
- Removes labels



RAILWAY INDUSTRY

WD-40® Multi-Use Product keeps the mechanical parts of subway or light rail vehicles functioning well. It insulates the electrical and circuit components from moisture, reducing component failure, ensuring the safety of vehicle operations.

- Provides effective maintenance of the mechanical parts of subway vehicles, rail converter
- Lubricates locomotive shaft and track sliding door
- Provides dehumidification protection of the locomotive circuits, electrical parts
- Protects bolts and nuts from rust
- Rusty bolts and nuts can easily be loosened from rust.



PRINTING INDUSTRY

WD-40® Multi-Use Product provides efficient maintenance to precision mechanical components of printing machines, reducing wear and tear, and extends the service life of the printing press.

- Lubricating and cleaning the slide track of paper feed system, paper transferring roller shaft
- Cleaning and lubricating transmission cam shaft
- Cleaning and lubricating chains, activating gear, adjustment screw of ink rod for rust-proofing
- Lubrication and cleaning of the sprocket and axle seats
- Provide maintenance for the pneumatic sliding doors of the printing press, enhancing the fineness of the printing products.
- Keeping motor parts clean and maintained to work longer
- Cleaning and maintaining the supporting tools of the press such as: torque wrench and rubber roll hardness meter



MINING INDUSTRY

WD-40® Multi-Use Product provides efficient maintenance in the mining industry for all types of machinery and electrical equipment to reduce equipment failure and loss, saving on both time and cost, and improving efficiency.

1. Maintenance of mining equipment ensures

- Powerful protection of equipment linkage and hinge structures to prevent rust attack
- Reduction of friction and improved operating consistency of equipment
- Powerful dehumidification and water proofing, extending the service life of metal parts
- Cleaning of electrical contact points to provide more stable and reliable equipment performance
- Cleaning of equipment corners with no dust accumulation, making it safer for use.

2. Maintenance of support system components

- Protects bolts and nuts in anchor system and scaffolding support system.
- Protects hinged surface and metal surface of the hydraulic system to prevent corrosion and to improve stability of equipment

3. Maintenance of pneumatic equipment

- Maintains pneumatic drills, pneumatic picks and other pneumatic tools without having to dismantle them
- Lubricates and cleans pump shafts and pump wheel blades, reducing wear

4. Maintenance of electrical equipment

- Protects circuit contact points so as to prevent oxidation of contact points or short-circuits through dampness, thus maintaining circuit stability
- Protects nuts and bolts of electrical equipment to prevent corrosion



MOULD MAINTENANCE

WD-40® Multi-Use Product provides effective and easy anti-rust cleaning and maintenance of the mould, extending its service life. It is also used as a release agent for certain plastic moulds, improving production efficiency, reducing technical procedures and saving on manpower and material resources.

1. Forms a dense protective film which effectively prevents moulds from rusting
2. Easy cleaning and maintaining with the mould with a simple wipe. The installation is very simple and convenient.
3. Release agent of certain plastic product
4. Rust removal of mould by spraying WD-40 Multi-Use Product on the corroded surface. After more than 20 minutes later, wipe the mould surface with an industrial scouring pad and it will be as bright as new.



AGRICULTURAL USES

WD-40® Multi-Use Product keeps farming equipment well maintained for long term use by lubricating moving parts, cleaning machines and tools and protects them from corrosion.

- Fights battery corrosion and helps start wet engines
- Lubricates squeaky wheels, keeps them clean and protected from rust
- Frees stuck, rusted or frozen parts
- Lubricates moving parts on farming equipment, keeps machines running smoothly
- Lubricates chain saws and hedge trimmers
- Removes, put on or reposition grips
- Lubricates Taps
- Removes gunk and adhesives from PVC



MAINTENANCE OF ELECTRICAL AND PNEUMATIC TOOLS

WD-40® Multi-Use Product is a high-efficiency maintenance agent for metal products. Its solute exhibits very strong surface affinity with metal. Its deeply penetrating solution is able to effectively remove oil, impurities and water attached to the metal surface, leaving a dense anti-rust film, which lubricates and protects, keeping a clean and lubricated surface. Recommended by major electrical tools brands for maintenance use.

1. Maintaining Pneumatic tools like:

pneumatic screwdrivers, pneumatic wrenches, gas nail guns, pneumatic drills, pneumatic shear products pneumatic sanding tools by cleaning and protecting the surface from corrosion.

2. Maintenance of electrical tools are:

lubricating drill chucks, lubricating drill caudal peduncles, cleaning the surface of electrical tools, lubricating and cleaning rotor commutators and many others.



AUTOMOTIVE INDUSTRY

WD-40® Multi-Use Product keeps automotive maintenance simple and easy, by lubricating parts, cleaning dirt and adhesives, protects against rust and displaces moisture. Making the car performance running more efficiently and longer.

- Lubricates ignition switches, hood springs, exterior carburetor linkages
- Removes stickers, plastic tint film and glue from windows and grease and dirt on chrome
- Cleans, protects and drive out moisture for spark plugs, chains, brake cables and sticky throttles
- Helps locate engine vacuum leaks when sprayed on vacuum hose connections
- Lubricates joints, smoothen movement, wiper and steering mechanism, car bonnet hinges
- Cleans and protects battery terminals from oxidation, cylinders and pistons from carbon deposits, increase efficiency
- Prevents rust on car bonnet, exhaust pipe
- Dissolves tar without harming paint or chrome
- Penetrates to loosen jammed wheel nuts

